

LINDY®

CONNECTION PERFECTION

Modular Projector Brackets

Manual

English



LINDY No. 40846, 40847, 40848 & 40849

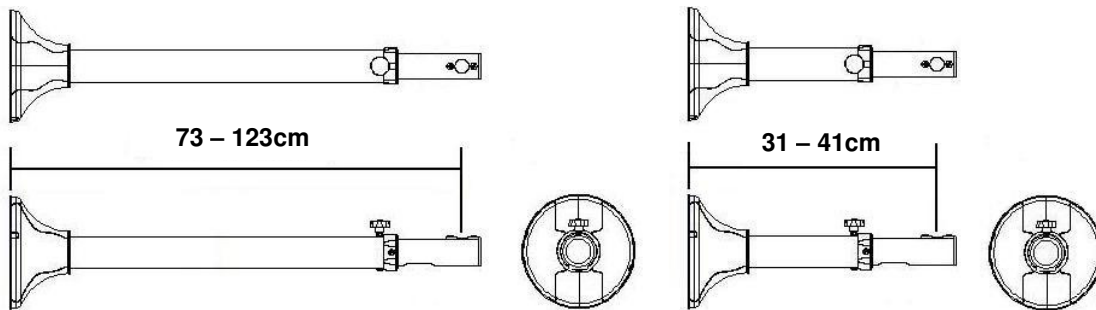
www.lindy.com

Thank you for purchasing the LINDY modular solution for mounting projectors in your home, office or AV multimedia setup. Both products are universal and can support most projectors up to a weight of 11.5Kg. The brackets and poles all have the same black finish and also have the added benefit of a cable management system built in to the poles.

This manual will show you how to assemble and adjust both types of bracket using either the long or short pole. Please take note of the maximum weights supported by the brackets to avoid any damage to your installation or equipment.

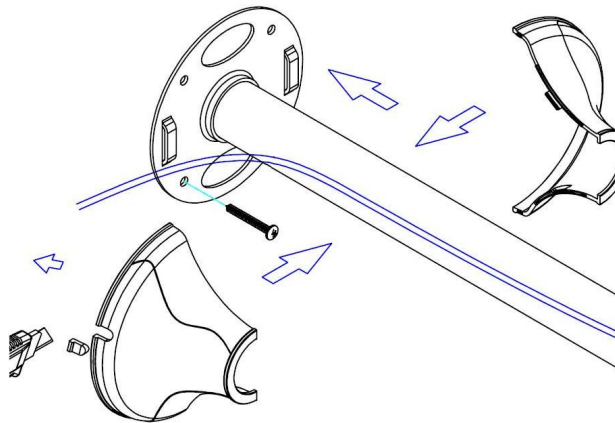
Both the long and short poles attach to the ceiling or wall in the same manner.

40846: 73 to 123cm from the wall/ceiling **40847:** 31 to 41cm from the wall/ceiling



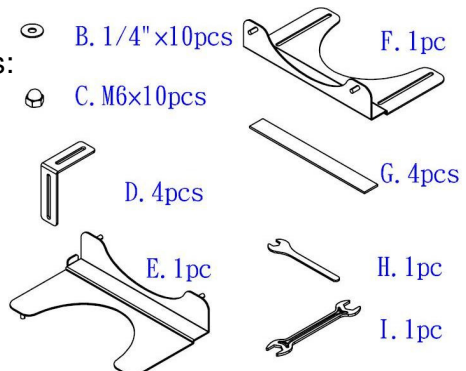
Each pole has its own cable management system. Using a conduit up the centre of the pole you can hide unsightly power and video cables from view.

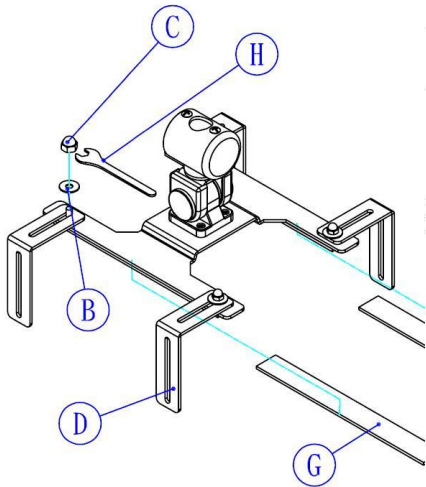
The diagram below shows how the cable is fed through the pole and can either go up through the ceiling or out through the side of the cable cover for a tidier appearance.



Assembling the “box” bracket: 40848

The “box” bracket comes with the following pieces:



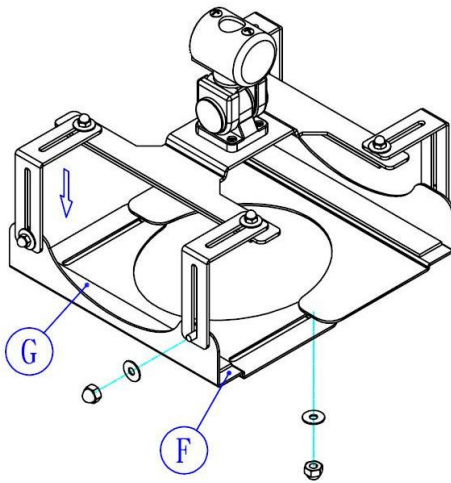
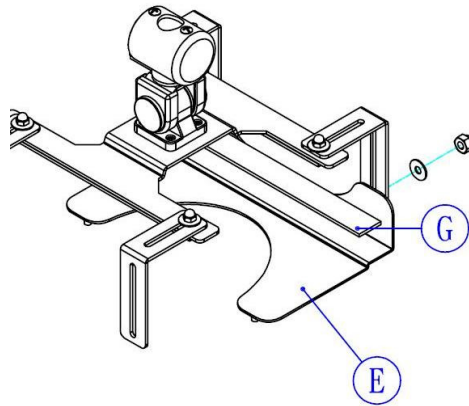


Step 1

Attach 2 foam strips (G) to the underside of the main bracket as shown. This will protect your projector from scratching against the metal surfaces. Connect the 4 L pieces (D) to each corner of the main bracket using nuts (C), washers (B) and tighten with spanner (H).

Step 2

Attach the foam strip (G) as shown, to bottom bracket (E). Using nuts (C) and washers (B), attach the first part of the bottom bracket (E) to the L piece (D).



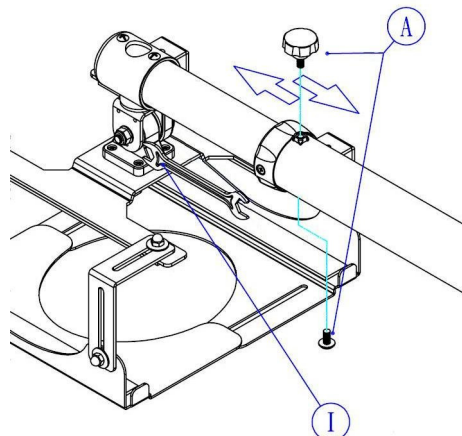
Step 3

Attach the last foam strip (G) to the second bottom bracket (F). Then attach (F) to the L pieces (D) using the nuts (C) and washers (B). The remaining nuts and washers are to connect the two bottom brackets (E) as shown.

Note: you will need to adjust the size of the “box” bracket by loosening and tightening nuts (C) depending on the size of your projector.

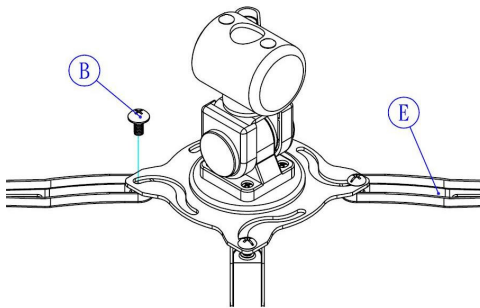
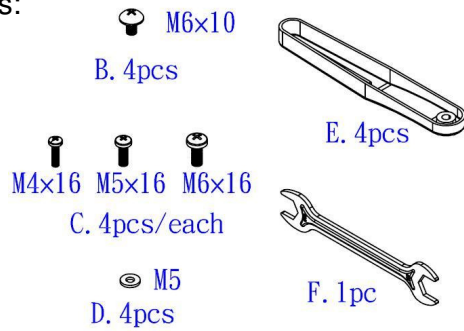
Step 4

After attaching the main bracket to the pole you can adjust the length of the pole and lock it with screws (A). Adjusting the bolt with the spanner (I) will allow you to tilt and adjust your projector to fit your requirements.



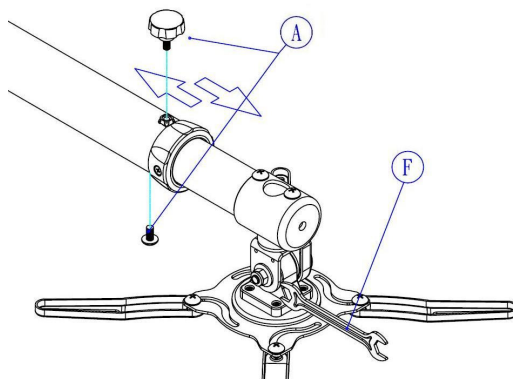
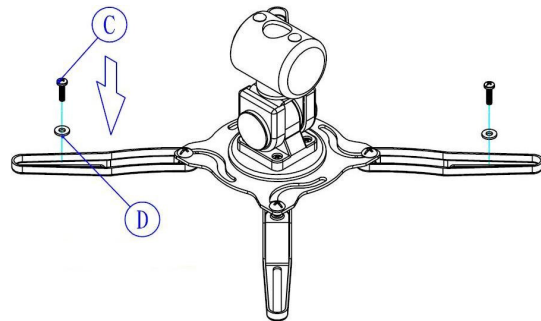
Assembling the “X” bracket: 40849

The “X” bracket comes with the following pieces:



Step 1
Attach the four expansion posts (E) to the main bracket, using screws (B).

Step 2
Use bolts (C) as appropriate to your projector and washers (D) to attach your projector to the “X” bracket.



Step 3
After attaching the main bracket to the pole you can adjust the length of the pole and lock it with screws (A). Adjusting the bolt with the spanner (F) will allow you to tilt and adjust your projector to fit your requirements.

Note: you will need to adjust the size of the “X” bracket by loosening and tightening nuts (C) and (B) depending on the size of your projector.

LINDY No's 40846, 40847, 40848 & 40849

1st Edition November 2010

www.lindy.com