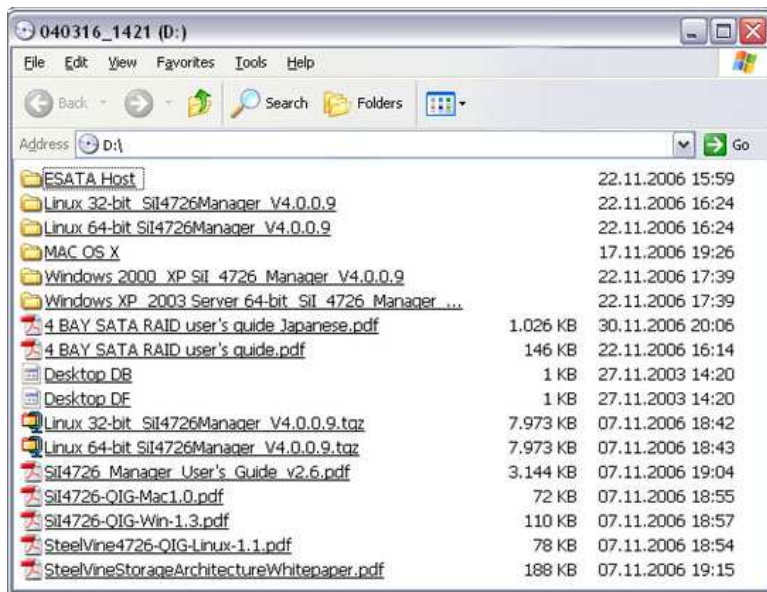


Utility Disk Content (V4.0.0.9 2007/2008 – subject to change)



Technical Data

- Dimensions: 135 x 172 x 248 mm
- Weight: approx. 2.4kg (Weight of hard disk not included)
- Interface: eSATA II (up to 3 Gbps)
- Power supply specifications: Input: 100V - 240V AC, 50/60Hz; Output: +5V 4.0A / +12V 6.0A (maximum)
- Operating Conditions: Temperature 5-35°C, Humidity 20-80% (non condensing)

FCC Warning

This equipment has been tested and found to comply with the limits for a Class B Digital device, pursuant to part 15 of the FCC Rules. These limits are designed to provide reasonable protection against harmful interference in a residential installation. This equipment generates, uses, and can radiate radio frequency energy and, if not installed and used in accordance with the instructions, may cause harmful interference to radio communications. However, there is no guarantee that interference will not occur in a particular installation. If this equipment does cause harmful interference to radio or television reception, which can be determined by turning the equipment off and on, the user is encouraged to try to correct the interference by one or more of the following measures:

- Reorient or relocate the receiving antenna
- Increase the separation between the equipment and receiver
- Connect the equipment into an outlet on a circuit different from that to which the receiver is connected
- Consult the dealer or an experienced technician for help



LINDY®

CONNECTION PERFECTION

Quad Drive eSATA Enclosure

User Manual

English



LINDY No.42819



For Home and Office Use
Tested to Comply with
FCC Standards

www.LINDY.com

Product summary

This Quad Drive HDD enclosure can hold up to 4 SATA HDDs of equal or different size. The HDDs can be used either individually (JBOD), as a RAID 0 or 1 system, or in certain combined modes (0+1, see examples as printed on the product packaging). The connection to the host computer is made via a single eSATA II cable requiring a fully compatible eSATA II Interface port supporting the port multiplier function.

Please regard the Note at the end of next page.

System Requirements

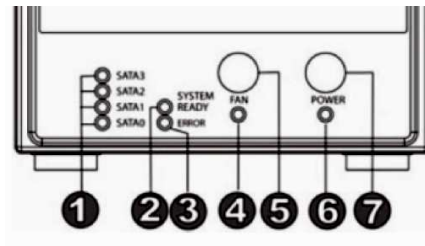
PC or MAC with eSATA II port and Windows Vista/XP/2000, Mac OS X 10.3.9 or above

Package Contents

1. Quad Drive Enclosure
2. eSATA II cable
3. Power cable
4. 4 plastic HDD brackets with 16 HDD screws for 3.5 "hard disks
5. This Installation Manual
6. SATA RAID Case Utility Disk

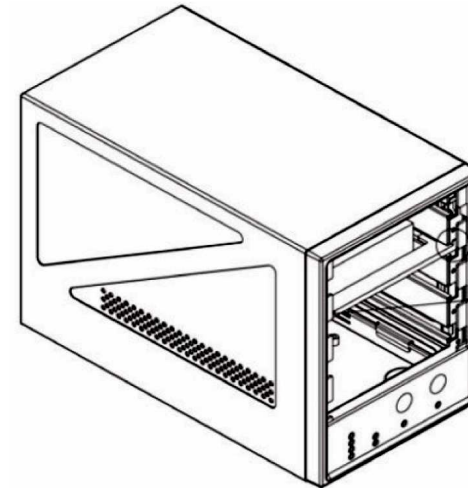
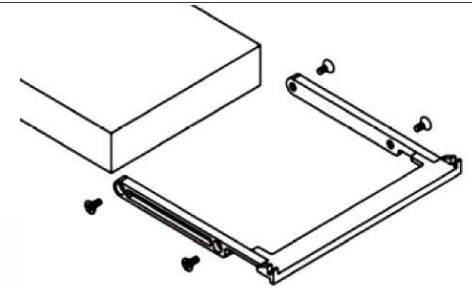
Product Switches and LED Description

1. **4x SATA Status LED:**
ON: SATA HDD ready,
Flashing: active data transfer;
OFF: Fail or no HDD
2. **System Ready LED:**
ON when System is ready
3. **System Error LED:**
ON when System is not ready or has failed
4. **FAN switch:** switches the fan ON/OFF
(*Please Note: High temperatures reduce the lifetime of HDDs!*)
5. **FAN LED:**
ON when switched on (no fan failure control)
6. **Power switch:**
Switches the internal power supply ON/OFF
7. **Power supply LED:**
ON when power is supplied and the device is switched ON.



HDD Installation

1. Please open the front door
2. Attach the plastic frame to each of the front of the HDDs as shown using 4 of the supplied screws



3. Slide the HDDs into the enclosure from the front, taking care that the SATA HDD connectors correctly fit into the SATA backplane connectors
4. Make sure the plastic HDD frame handle locks into the metal panels at each side as shown
5. Close the front door. You are now ready to connect the unit to your computer

Connection and Utility Installation

This Quad Drive eSATA Enclosure uses a Silicon Image Steel Vine Storage SATA II Port Multiplier Controller that connects multiple SATA HDDs to a host system over a single eSATA cable. It requires the host computer to be equipped with a SATA controller that supports the Port Multiplier Specification. For optimum operation a fully compliant SATA II controller with external eSATA Port and up to date drivers is required.

Before you connect the Quad Drive eSATA Enclosure to your system please install the Silicon Image utility programs from the enclosed Utility CD on your computer. For storage policies please refer to the Silicon Image QIG Quick Installation Guide or the Silicon Image Manager User Guide on the enclosed Utility disk.

Please Note:

The enclosed CD contains the utility / manager software V4.0.0.9. New versions will become available which may offer improved usability or new features so it is important that you check for updates to the SV2000 SiL-4726 utility / manager software on the Silicon Image website:

<http://www.siliconimage.com/support/index.aspx?pid=0&cid=0&>