

Modular LCD Console Quick Hardware Installation Guide

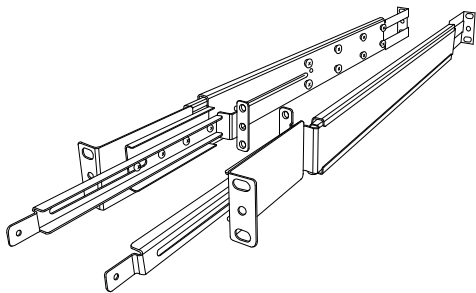
It is essential that each step of this installation guide is completed in the stated order to ensure a successful installation.

It is highly recommended that two persons carry out the installation.

1. Please check the contents of this box against the list below, before installation.
2. Before installation, make sure all peripherals and computer have been turned off.
3. The cabinet depth range must be in 570 ~ 870 mm for the 15" and 17" console or 650 ~ 950 mm for the 19" console.
4. Reliable earthing of rack-mounted equipment must always be maintained. Particular attention should be given to supply connections other than direct connections to the branch circuit.

Hardware Installation Kits Contents:

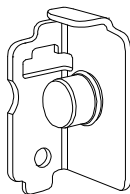
1. Rail with front and rear brackets x 2



3. Screw x 2



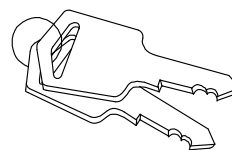
2. Blocker x 2



4. Screw (length 6mm) x 6



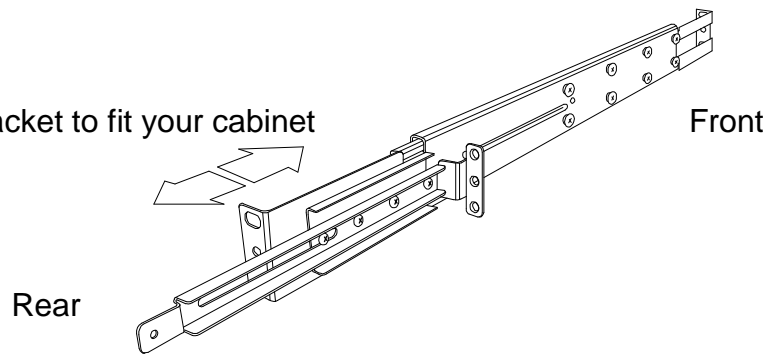
5. Key x 2



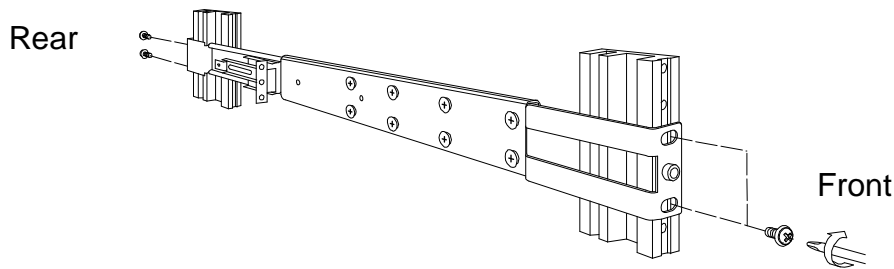
Tested to comply with FCC Standards
For Commercial Use Only!

Installation steps:

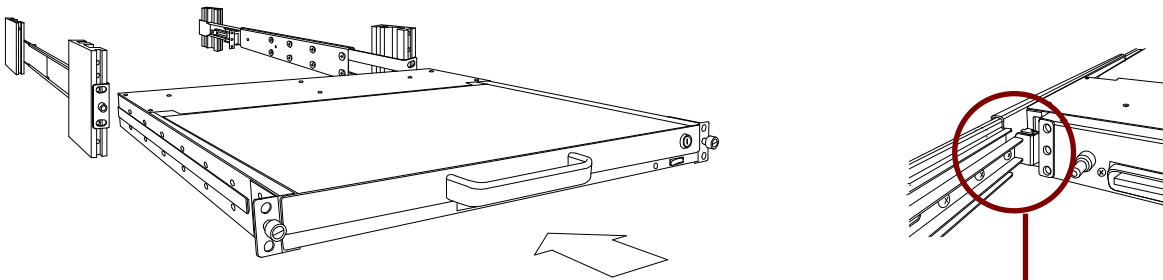
1. Adjust the rail with the rear bracket to fit your cabinet



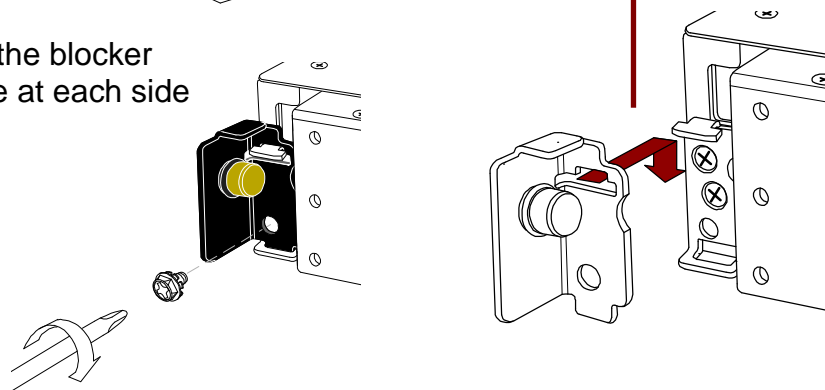
2. Attach the front and rear brackets to your cabinet



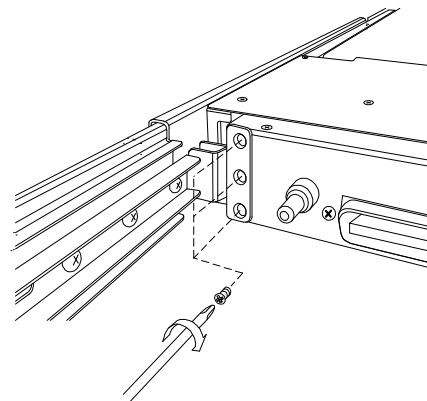
3. Repeat steps 1 and 2 for the other side of your cabinet
4. Slide the console along the rails until you reach the end



5. Use a screw to connect the blocker to the rear of the console at each side



6. Install three screws (length 6mm) to the rear of the console at each side to complete the installation



Tested to comply with FCC Standards
For Commercial Use Only!